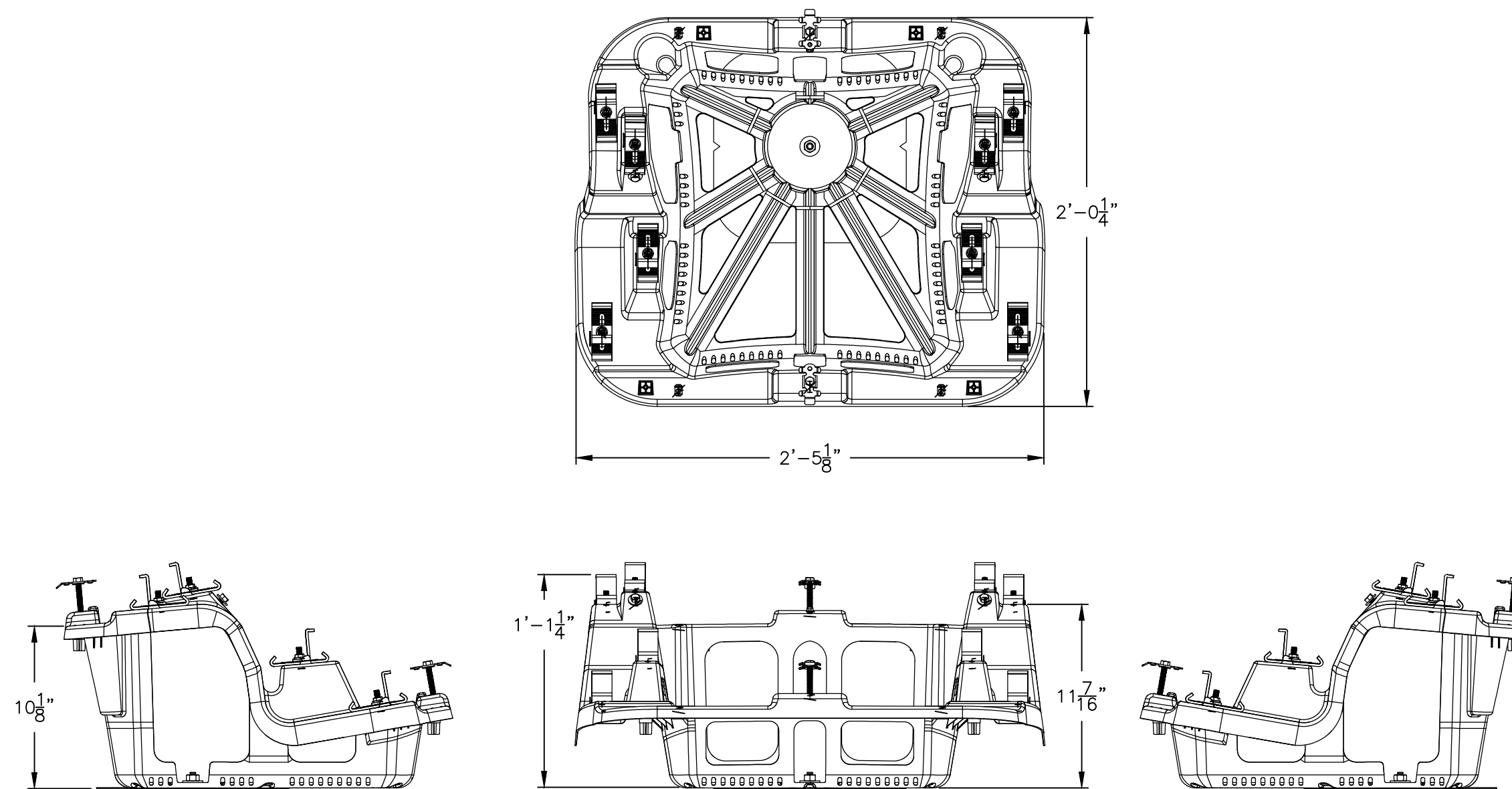
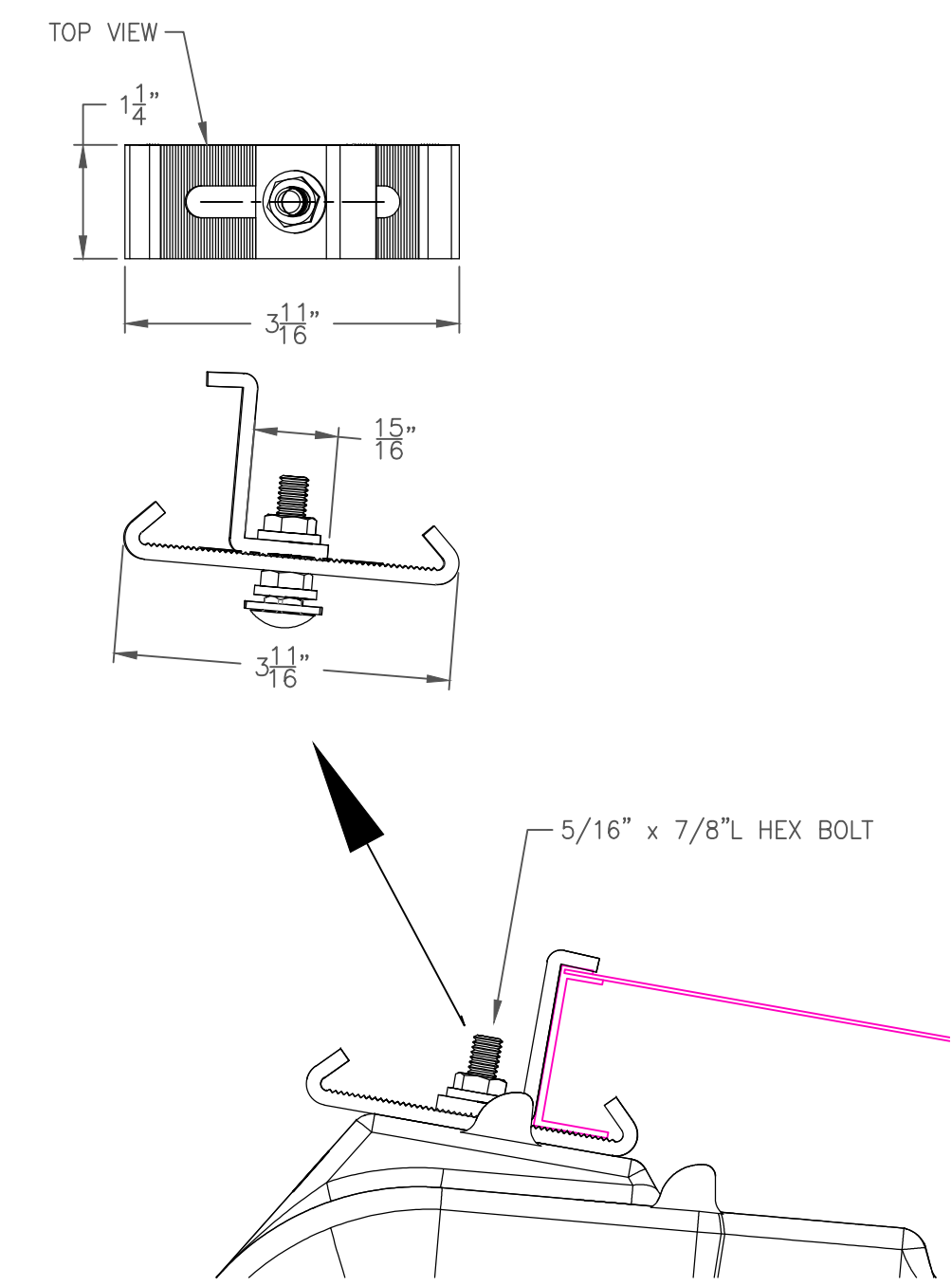


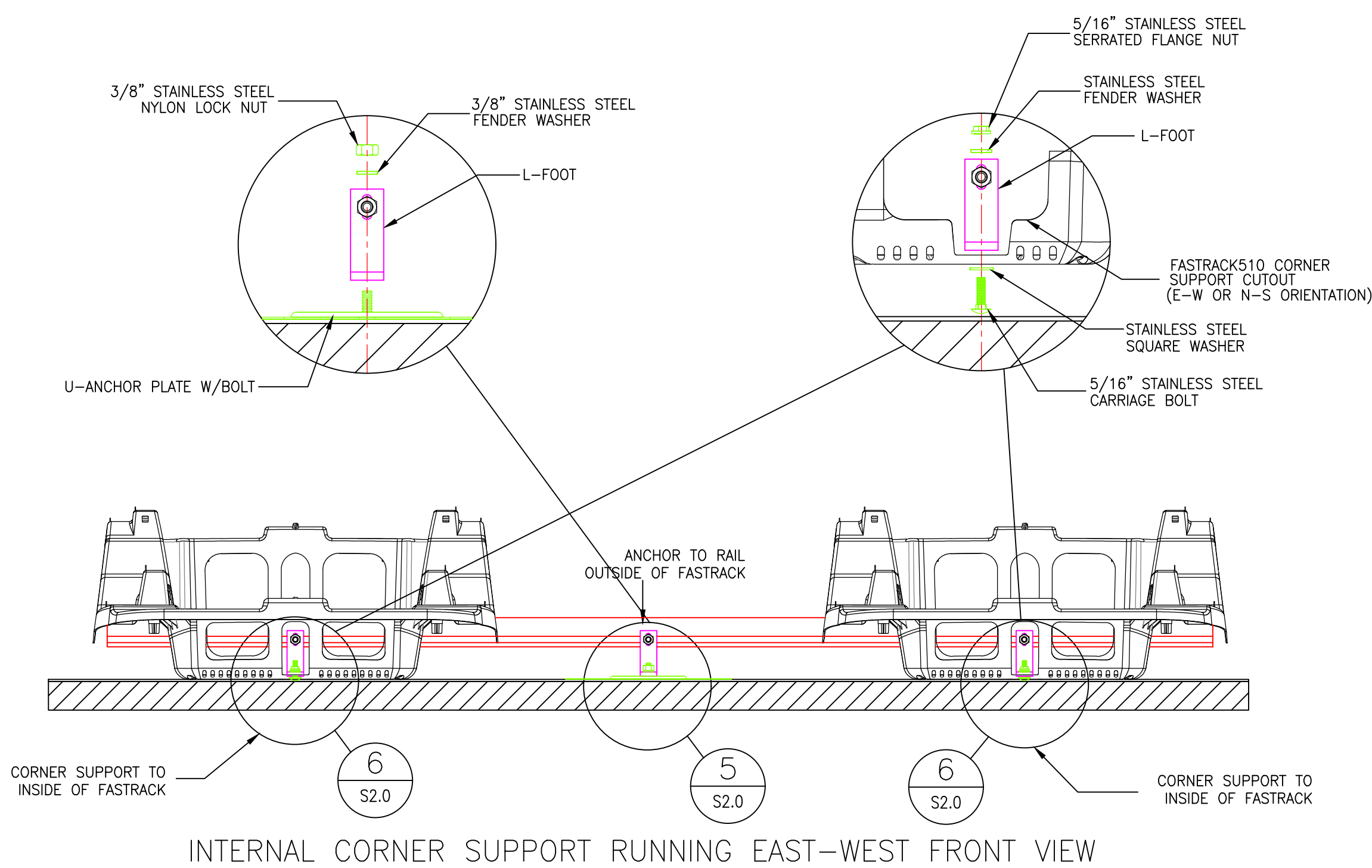
1 MODULE ATTACHMENT DETAIL
S2.0 SCALE: 1-1/2" = 1'-0"



3 SOLLEGA FAST RACK 510 (FR510)
S2.0 SCALE: 1-1/2" = 1'-0"

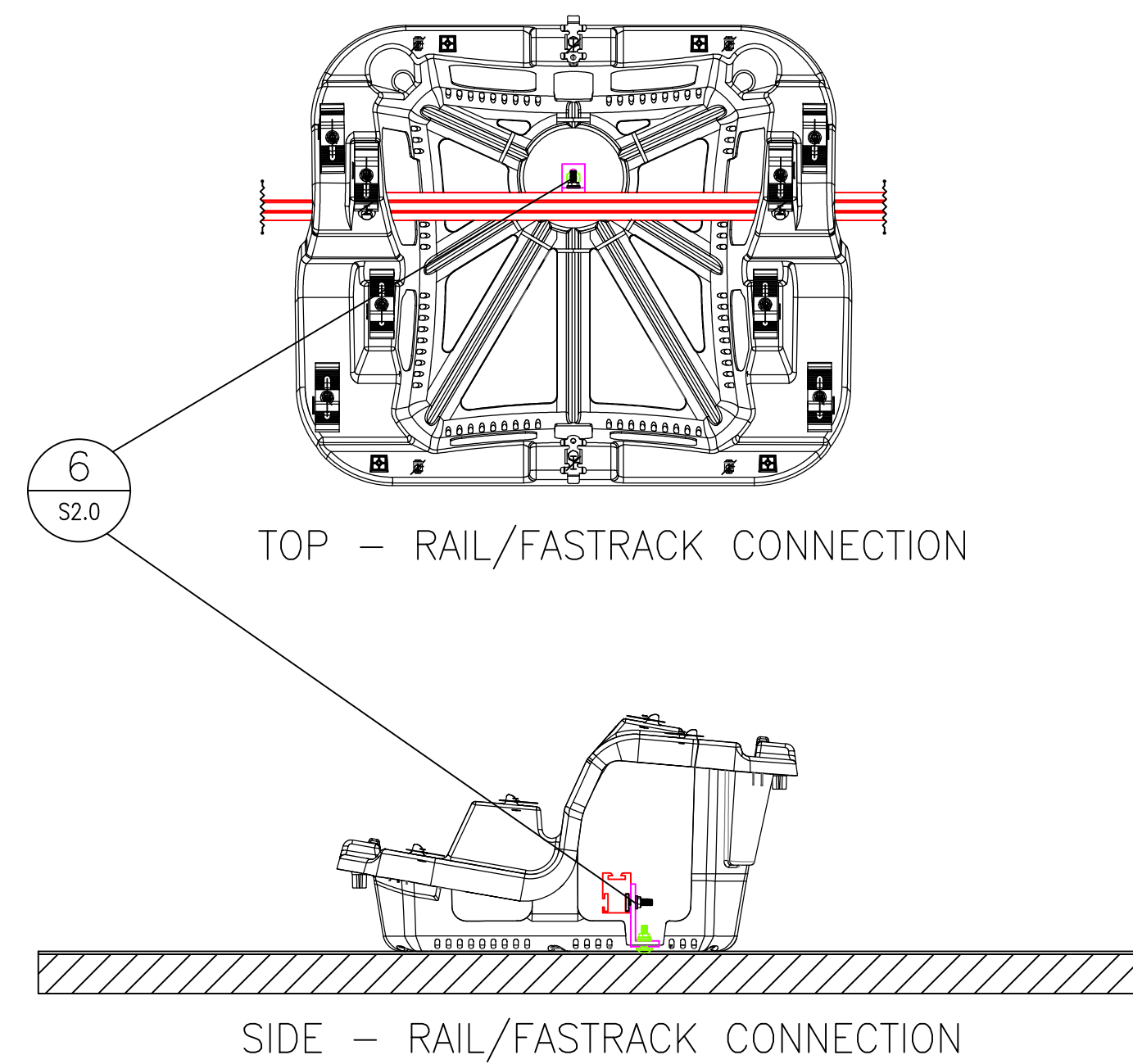


4 CLAMP DETAIL
S2.0 SCALE: 6" = 1'-0"

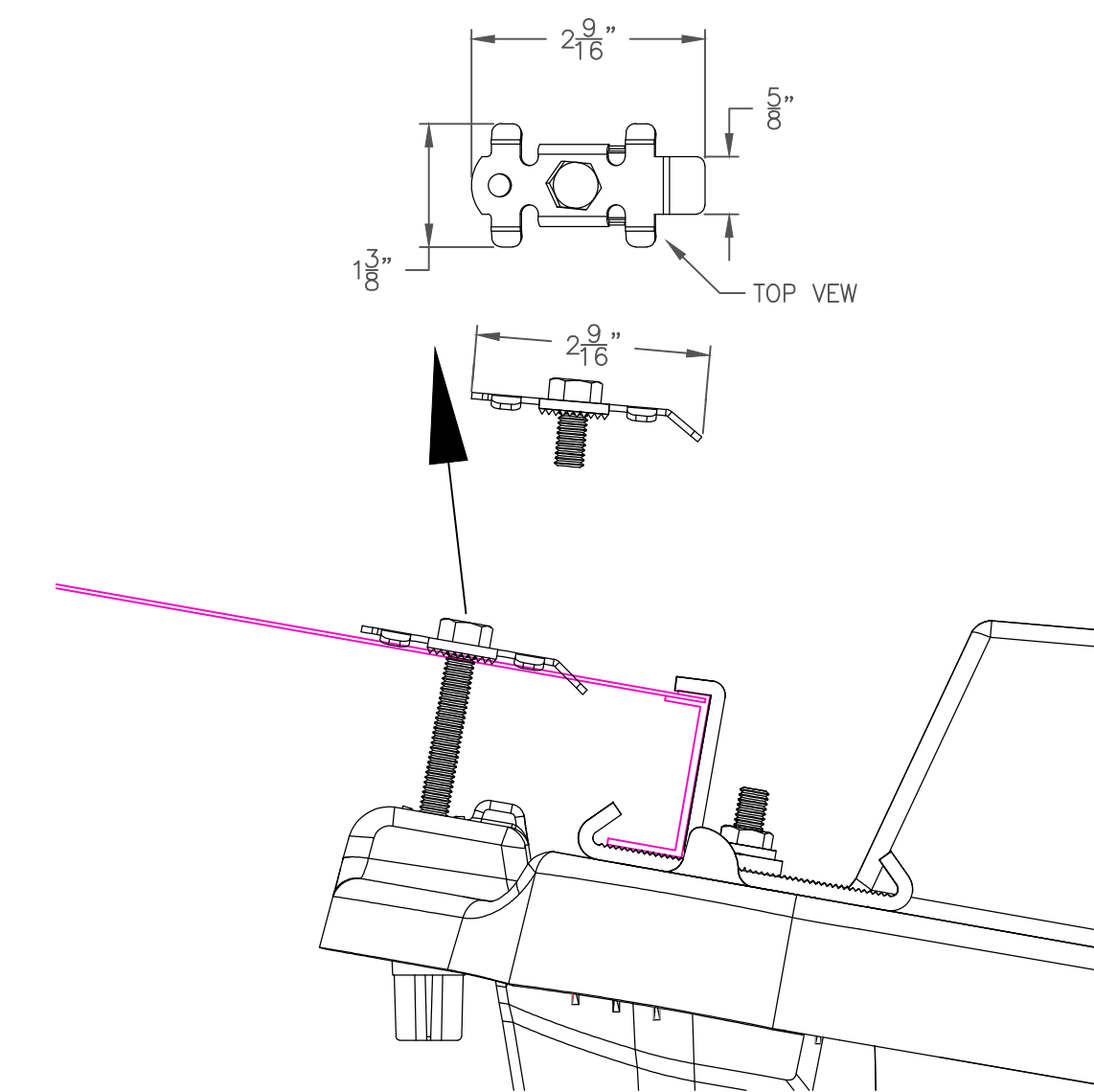


5,6 ANCHOR / RAIL / FASTRACK CONNECTION DETAILS
S2.0 SCALE: NTS

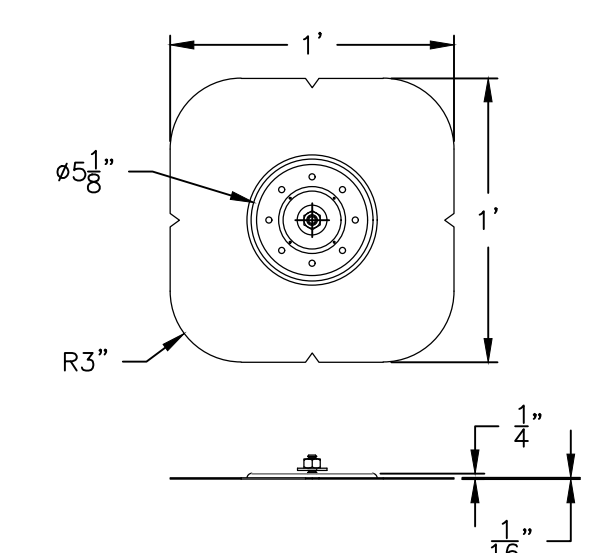
ANCHOR TO FASTRACK CONNECTION DETAILS
ALTERNATE VIEWS



6 TOP - RAIL/FASTRACK CONNECTION
S2.0



7 MID CLAMP DETAIL
S2.0 SCALE: 6" = 1'-0"



8 MECHANICAL ANCHOR DETAIL
S2.0 SCALE: 1-1/2" = 1'-0"

PROJECT INFO	Location	Location
	Installer	Installer
	Main Contact	Main Contact
	Email	Email
	Phone	Phone

DRAWING INFO.	
Date & Time	8/6/2021 12:36 PM
Prepared/Approved by	JC LR
Sheet Name	S2.0